

GRAVELY

A DIVISION OF CLARKE-GRAVELY CORPORATION

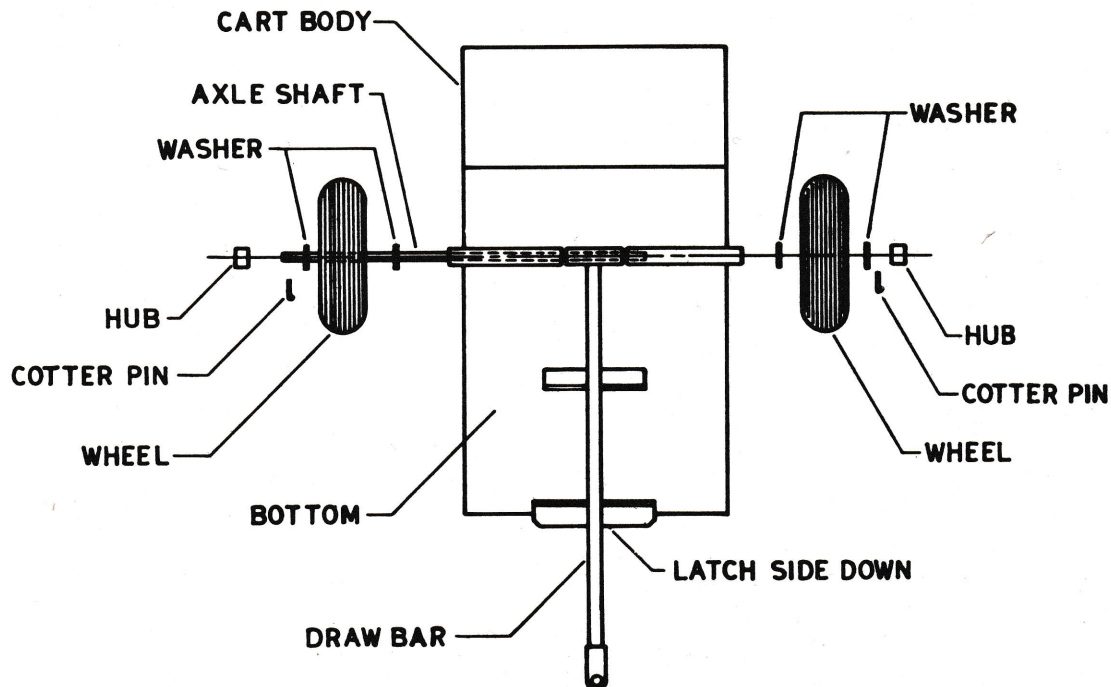
To continue its program of quality and design improvement, the manufacturer reserves the right to change specifications, design or prices without notice and without incurring obligation.

ASSEMBLY INSTRUCTIONS

17750E1 408 Cart

Form No: 20034L2

Effective Date: 3-1-73



1. Unpack material from box.
2. Turn cart body upside down.
3. Lay the drawbar in place on the cart body between the axle supports. Slide the axle shaft through the axle supports and the drawbar.
4. On each end of the axle shaft place a flatwasher, wheel assembly with the valve stem out, and another flatwasher. Secure in place with a cotter pin on each end of the axle shaft.
5. Place the plastic hub in place over each end of the axle.
6. Turn the cart over on its wheels. Grease each wheel liberally with general purpose grease.

GRAVELY

One Gravely Lane
Clemmons, N. C. 27012